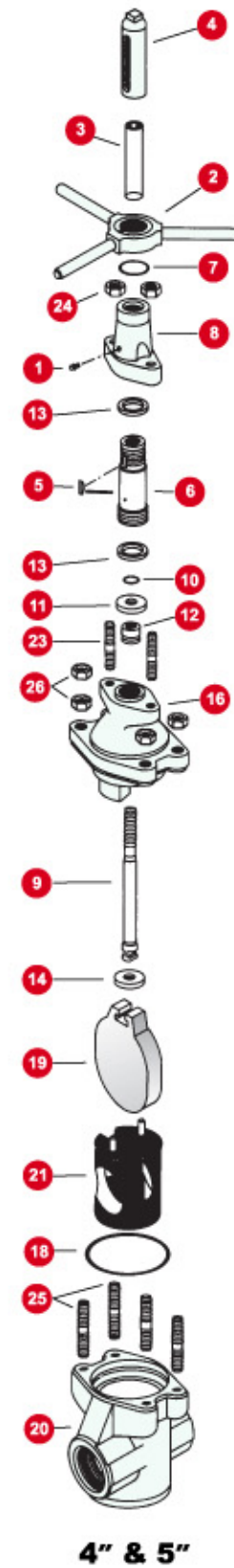




# O'DRILL (Demco® DM Type) VALVES & PARTS

4", 5" x 4" & 6" x 4" - 5000 W.P.



4" - 5000# WP			5" x 4" / 6" x 4"		
REF.	Description	WT.	REF.	Description	WT.
1	<b>LUBE FITTING</b> Steel	.1#	19	<b>GATE</b> Steel, Nickel Plated 316 SS	9#
2	<b>HANDLE ASSEMBLY</b> Steel	11#	20	<b>BODY*, UNCOATED</b> Steel <b>SCREWED - API LP</b> FULL PORT <b>WELD - FULL PORT 4"</b>	120#
3	<b>ACT TUBE</b> Acrylic	1#		- SCH. 80	1288 - 130
4	<b>STEM CAP</b> Ductile Iron	3#		- SCH. XXH	1288 - 230
5	<b>KEY</b> Steel	.1#		- SCH. 160	1288 - 530
6	<b>STEM SCREW</b> Steel	4#		FLANGED-RTJ <b>WELD - REG. PORT- 5" x 4"</b>	260#
7	<b>STEM SCREW SEAL</b> Buna N	.1#		- SCH. 80	1249 - 130
8	<b>SCREW HOUSING</b> Steel	9#		- SCH. XXH	1249 - 230
9	<b>STEM</b> 303 SS 316 SS	3# 3#		- SCH. 160	1249 - 530
10	<b>SECONDARY SEAL</b> Buna N	.1#		<b>WELD REG. PORT- 6" x 4"</b>	114#
11	<b>RETAINER</b> Steel	1#		- SCH. 80	17287 - 130
12	<b>STEM SEAL ASSEMBLY</b> (Includes Bronze Bushing) Buna N Viton	.2# 1951 - 001 1951 - 006		- SCH. XXH	17287 - 230
13	<b>BEARING (2)</b> Teflon/ Phenolic	.1#		- SCH. 160	17287 - 530
14	<b>DOWN STOP RING</b> 303 SS	1#	21	<b>SEAT</b> Steel - Buna N - Viton 316 SS - Buna N - Viton	6# 6#
16	<b>BONNET-A 148 STEEL</b> Uncoated Coated	62# 7419 - 030	23	<b>BONNET STUD (2)</b> A 193 B7 Steel	1#
18	<b>BONNET SEAL</b> Buna N Viton	.1# .1#	24	<b>BONNET STUD NUT (2)</b> Carbon Steel A 194 2H	1#
		5537- 361 5531- 361	25	<b>BODY STUD (4)</b> AISI 4140 HT Steel	5#
			26	<b>BODY STUD NUT (4)</b> Carbon Steel AISI 414004145	2#
				<b>BONNET ASSEMBLY</b> With Gate	102#
★ <b>REPAIR KIT for 4" - 5000 PSI</b>		<b>6 PCS</b>	P/N: DGV - 45KRK		
1 Ea. Ref 7, 10, 12, 18, 19, 21		Weight: 18 Lbs.			

**Warranty:** O'Drill / MCM, Inc. warrants its Drilling Equipment Products to be free from defects in material and workmanship under normal use and service for a period of one (1) year from date of purchase. The liability for any such defects shall be limited to the repair or replacement of such drilling equipment products, or if agreed upon, refund of the purchase price in exchange for the product.

*If You want to economize.....O' Drillize !!!*

★ Corporate Office: ★



11625 FAIRMONT LANE • HOUSTON, TEXAS 77035

★ TEL: (713) 541-2020 • FAX (713) 541-9090 • 1-800-255-6263 ★

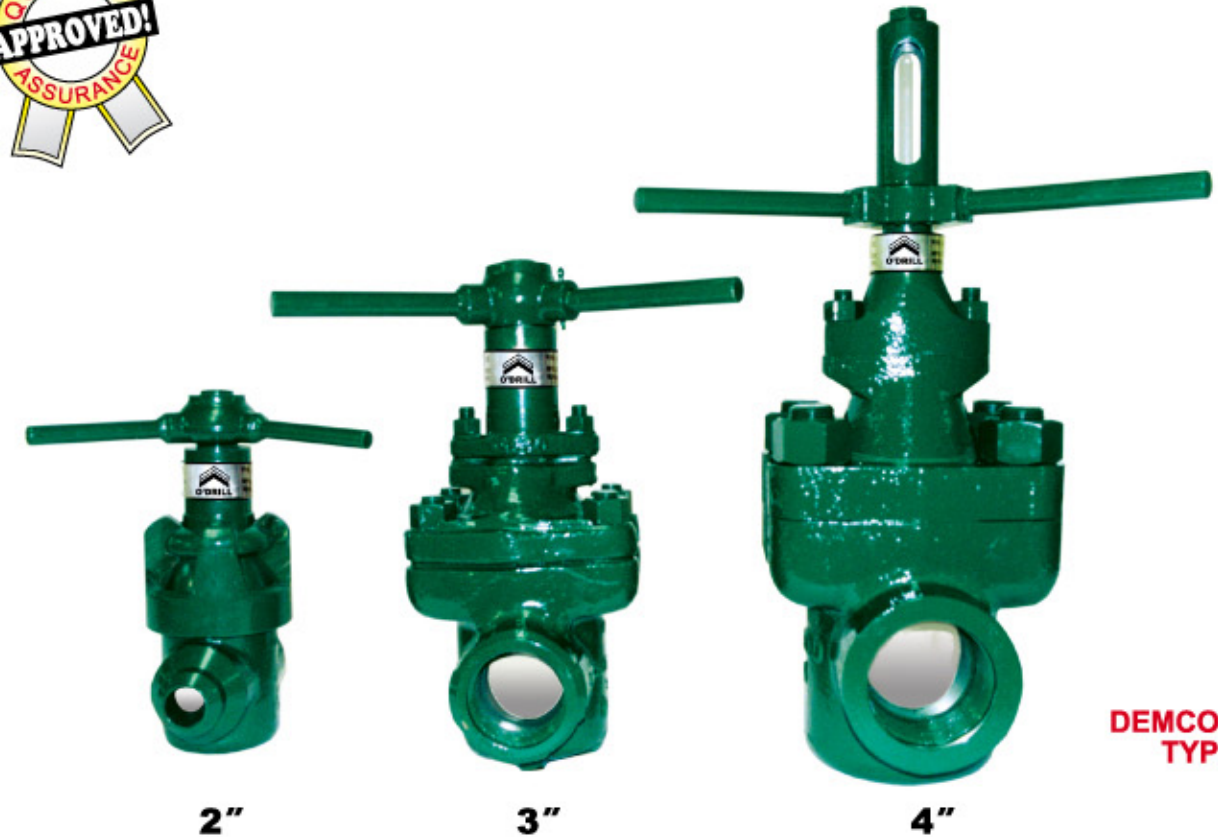
E-mail: odrillmcm@aol.com

Established  
1982



Engineered for High Performance...

Catalog  
DGV 2", 3" & 4"



DEMCO® DM  
TYPE

Top Quality... Lowest Prices..... Guaranteed !!!



**GATE VALVES**



100% Interchangeable with DEMCO® DM TYPE

✓ *out our quality...  
Compare our Prices!!!*

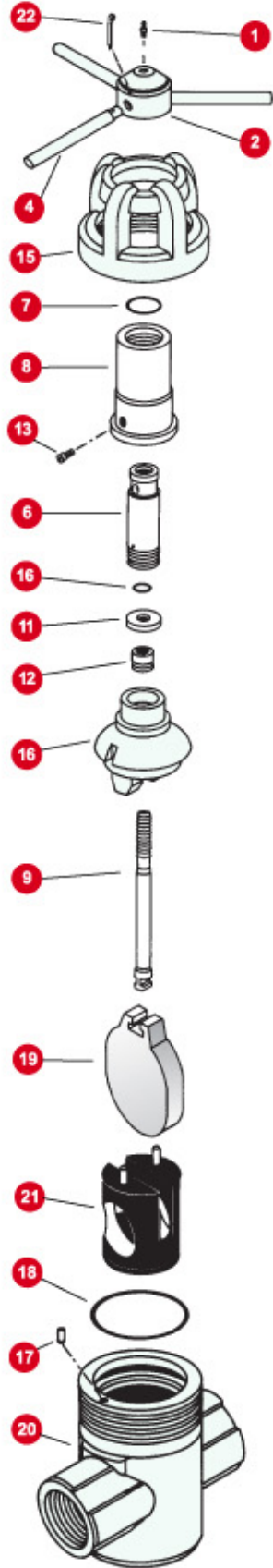
**O'DRILL (Demco® DM Type) 100% Interchangeable VALVES & PARTS**

2" - 2000, 3000 & 5000 W.P.			2000 WP 3000 WP 5000 WP		
REF.	Description	SIZE	WT.	2"	2"
1	<b>LUBE FITTING</b> Steel		.1#	5195	
2	<b>HUB ASSEMBLY</b> Steel		5#	14687	
4	<b>LOCK HANDLE</b> Steel		1#	1891	
6	<b>STEM SCREW</b> Steel		3#	1913	
7	<b>STEM SCREW SEAL</b> Buna N		.1#	5530 - 224	
8	<b>SCREW HOUSING</b> Steel		4#	1848	
9	<b>STEM</b> 303 SS 316 SS		1#	1931 - 002 1931 - 008	
10	<b>SECONDARY SEAL</b> Buna N		.1#	5530 - 210	
11	<b>RETAINER</b> Steel		1#	1940	
12	<b>STEM SEAL ASSEMBLY</b> (Includes Bronze Bushing) Buna N Viton		.1#	1949 - 001 1949 - 006	
13	<b>LOCK SCREW</b> Steel		.1#	5665 - 22004	
15	<b>COUPLING</b> WCB Steel		16#	1446 - 020	1445 - 030
16	<b>BONNET</b> ANSI 1029 Steel Uncoated Coated		7#	1237 - 020 1237 - 021	
17	<b>INDEX PIN</b> Steel		.1#	1981	
18	<b>BONNET SEAL</b> Buna N Viton		.1#	5530 - 342 5531 - 342	
19	<b>GATE</b> Steel, Nickel Plated 316 SS		3#	1887 - 002 1887 - 008	
20	<b>BODY, UNCOATED</b> Steel <b>SCREWED-API - LP FULL PORT</b> <b>WELD</b>		29#	1285 - 020	1271 - 030
			29#	1307 - 120 1307 - 220 1307 - 520	1309 - 130 1309 - 230 1309 - 530
			73#	2039 - 120	1510 - 230
	<b>FLANGED - RTJ</b>				
21	<b>SEAT</b> Ductile Iron STEEL 316 SS	- Buna N - Viton - Buna N - Viton - Buna N - Viton	1.5# 1.5# 1.5#	1876 - 011 1876 - 012 1876 - 021 1876 - 022 1876 - 081 1876 - 082	1876 - 011 1876 - 012 1876 - 021 1876 - 022 1876 - 081 1876 - 082
22	<b>PIN, LOCK HANDLE</b> Steel		1#	5420 - 18728	
★	<b>REPAIR KIT 2" - 6 PCS.</b> 1Ea - Ref. 7, 10, 12, 18, 19, 21		6 #	P/N: DGV-25 KRK	

DISCLAIMER: DEMCO IS A REGISTERED TRADE MARK OF ANOTHER COMPANY. O'DRILL / MCM, INC. IS NO WAY AFFILIATED WITH THIS COMPANY. THE PART NUMBERS LISTED ABOVE ARE FOR IDENTIFICATION PURPOSE ONLY.

To order: Specify a) Size b) Pressure c) End connections

*We Sell for Less..... !!!*



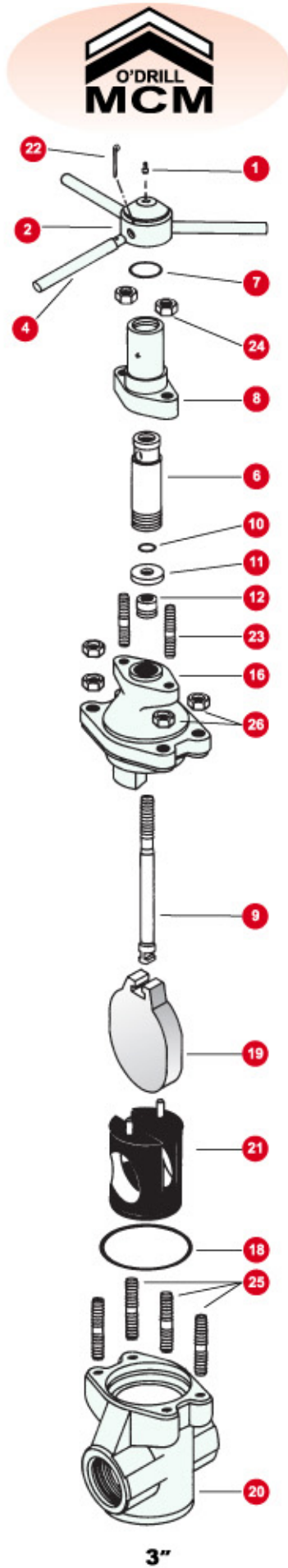
2"

**O'DRILL (Demco® DM Type) 100% Interchangeable VALVES & PARTS**

3" - 3000 & 5000 W.P. / 4" - 3000 W.P.			3000 WP 4" X 3" 5000 WP 4" X 3" 3000 WP 5 X 4"			
REF.	Description	SIZE	WT.	3"	3"	4"
1	<b>LUBE FITTING</b> Steel		.1#	5195	5195	5195
2	<b>HUB ASSEMBLY</b> Steel		10#	14688	14688	14689
4	<b>LOCK HANDLE</b> Steel		1#	1892	1892	1897
6	<b>STEM SCREW</b> Steel		1#	1914 - 003	1914 - 003	1915
7	<b>STEM SCREW SEAL</b> Buna N		.1#	5530 - 226	5530 - 226	5530 - 227
8	<b>SCREW HOUSING</b> Steel		6#	1852	1852	1958
9	<b>STEM</b> 303 SS 316 SS		1#	1932 - 002 1932 - 008	1932 - 002 1932 - 008	1933 - 002 1933 - 008
10	<b>SECONDARY SEAL</b> Buna N		.1#	5530 - 212	5530 - 212	5530 - 214
11	<b>RETAINER</b> Steel		1#	1941	1941	1942
12	<b>STEM SEAL ASSEMBLY</b> (Includes Bronze Bushing) Buna N Viton		.2#	1950 - 001 1950 - 006	1950 - 001 1950 - 006	1951 - 001 1951 - 006
16	<b>BONNET</b> A148 Steel Uncoated Coated		40# 45#	1976 - 030 1976 - 031	1980 - 030 1980 - 031	1977 - 030 1977 - 031
18	<b>BONNET SEAL</b> Buna N Viton		.1#	5530 - 433 5531 - 433	5530 - 433 5531 - 433	5530 - 439 5531 - 439
19	<b>GATE</b> Steel Nickel Plated 316 SS		.1# 9#	1886 - 002 1886 - 008	1886 - 002 1886 - 008	1926 - 002 1926 - 008
20	<b>BODY, UNCOATED, Steel</b> <b>SCREWED-API LP - FULL PORT</b> <b>WELD - FULL PORT</b>		71#	1281 - 030	1987 - 030	1855 - 030
			80#	1767 - 130 1767 - 230 1767 - 530	1266 - 130 1266 - 230 1266 - 530	1014 - 130 1014 - 230 1014 - 530
			146#	1455 - 130	1511 - 230	1451 - 130
	<b>FLANGED-RTJ</b>					
	<b>WELD - REG. PORT</b>		80#	1282 - 130 1282 - 230 1282 - 530	1267 - 130 1267 - 230 1267 - 530	1009 - 130 1009 - 230 1009 - 530
21	<b>SEAT</b> Ductile Iron Steel 316 SS	- Buna N - Viton - Buna N - Viton - Buna N - Viton	4# 8# 4# 8# 4# 8#	1878 - 011 1878 - 012 1878 - 021 1878 - 022 1878 - 081 1878 - 082	1878 - 011 1878 - 012 1878 - 021 1878 - 022 1878 - 081 1878 - 082	2207 - 011 2207 - 012 2207 - 021 2207 - 022 2207 - 081 2207 - 082
22	<b>PIN, LOCK HANDLE</b> Steel		.1#	5420-18732	5420-18732	5420-18732
23	<b>BONNET STUD (2 REQUIRED)</b> A193 B7 Steel		1#	2066	2066	2072
24	<b>BODY STUD NUT (2 REQUIRED)</b> Carbon Steel A194 2 H		.6#	53251 - 034	53251 - 034	53251 - 036
25	<b>BODY STUD (4 REQUIRED)</b> A 193 B7 Steel		2#	2074	32076	2075
26	<b>BODY STUD NUT (4 REQUIRED)</b> Carbon Steel A194 2H		.5#	53251 - 038	53251 - 144	53251 - 042
★	<b>REPAIR KITS 3" &amp; 4" - 6 PCS.</b> 1 Ea - Ref. 7, 10, 12, 18, 19, 21		18#	3" P/N: DGV-35 KRK 4" P/N: DGV-43 KRK (Low Pressure)		

Testing: O'DRILL GATE VALVES ARE HYDROSTATICALLY TESTED AFTER ASSEMBLY. THE BODY, STEM SEAL AND SEAT ARE INSPECTED FOR ZERO LEAKAGE UNDER PRESSURE BEFORE SHIPMENT.

Rubber Properties: \* BUNA-N : IS THE BASIC SEAT ELASTOMER, EXCELLENT FOR PETROLEUM (Nitrile) OILS AND GASES.  
\* VITON : IS HIGHLY RESISTANT TO MINERAL ACIDS AND HYDROCARBONS, GOOD FOR HIGH TEMPERATURE SERVICE (-10° F to 400° F)



3"

★ TEL: (713) 541-2020 • FAX (713) 541-9090 • 1-800-255-6263 ★

TOLL-FREE